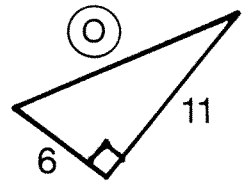
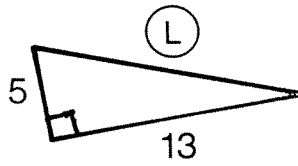
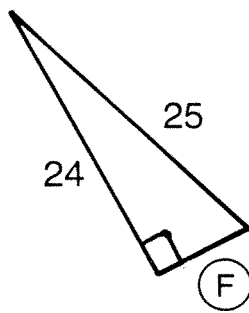
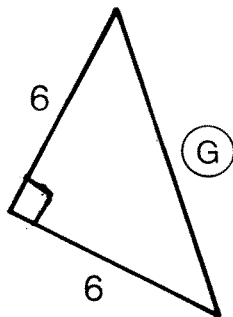
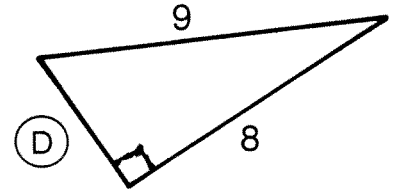
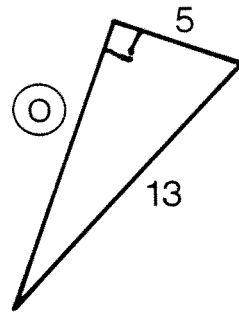
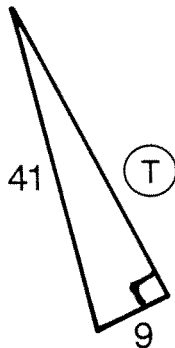
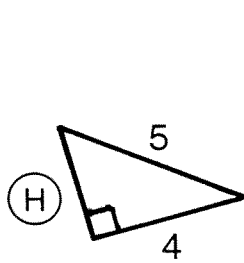
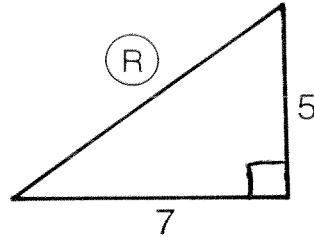
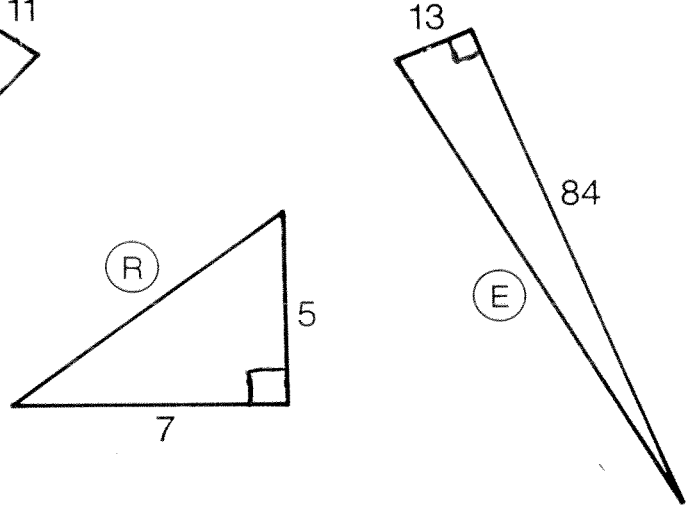
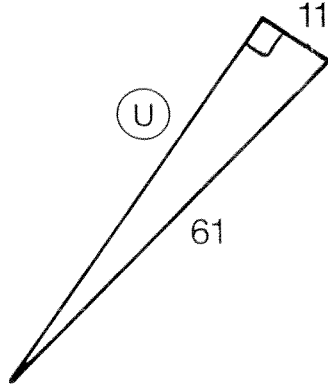
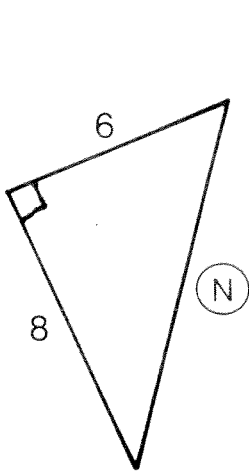


## What Part Of The Tent Is Hardest To Keep Clean?

Determine the length of each side labeled with a circled letter. Write the letter in the box or boxes at the bottom of the page that contain the same answer.



40	3	85	$6\sqrt{2}$	$\sqrt{74}$	12	60	10	$\sqrt{17}$	7	$\sqrt{194}$	12	$\sqrt{157}$	$\sqrt{74}$
----	---	----	-------------	-------------	----	----	----	-------------	---	--------------	----	--------------	-------------

## Why Did The Elephant Need A Credit Card?

Solve each problem to the nearest hundredth. Find the answer in the large box and notice the letter next to it. Write that letter in the box or boxes at the bottom of the page that contain the item number.

①  $\sqrt{9}$

②  $\sqrt{25}$

③  $\sqrt{49}$

④  $\sqrt{\sqrt{16}}$

⑤  $\sqrt{9} + \sqrt{36}$

⑥  $\sqrt{9 + 36}$

⑦  $\sqrt{81} - \sqrt{25}$

⑧  $\sqrt{81 - 25}$

⑨  $\sqrt{4 \times 9}$

⑩  $\sqrt{4} \times \sqrt{9}$

⑪  $\sqrt{81} \div \sqrt{16}$

⑫  $\sqrt{81 \div 16}$

⑬  $\sqrt{36\frac{1}{4}}$

⑭  $\sqrt{36} + \sqrt{\frac{1}{4}}$

⑮  $\sqrt{4.36}$

Ⓐ 2.25

Ⓖ 6

Ⓢ 5

Ⓛ 6.02

Ⓘ 6.71

Ⓟ 2

ⓗ 9

Ⓒ 2.08

Ⓣ 3

Ⓝ 4

Ⓡ 7

Ⓔ 6.50

Ⓙ 1.5

Ⓚ 1

Ⓥ 8

Ⓦ 7.48

5	14	8	12	2	11	15	5	12	3	10	6	7	9
			14	13	14	4	5	11	7	1			